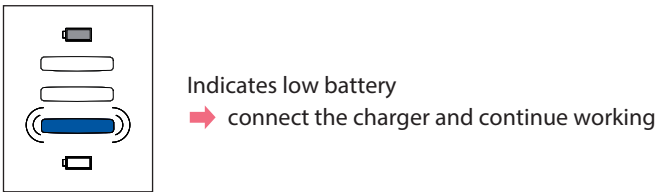
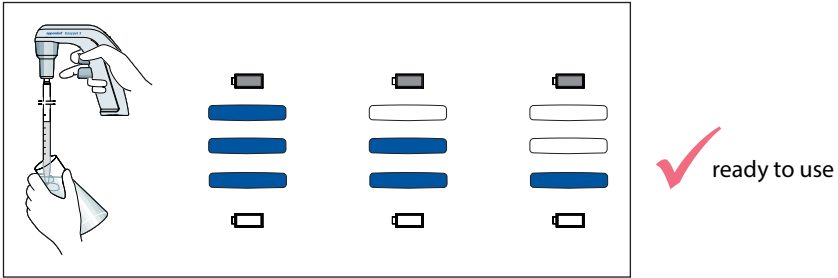


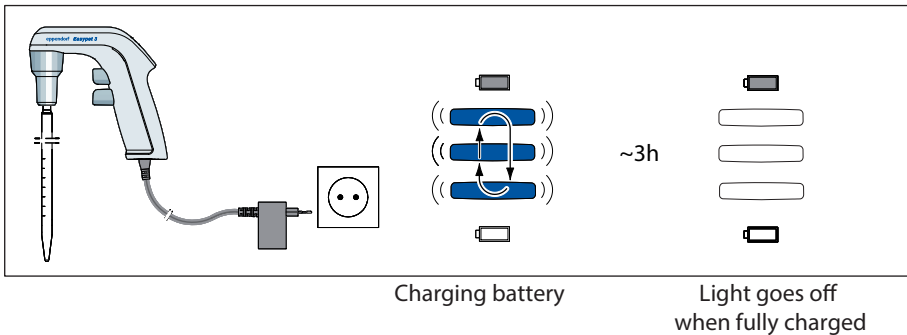
Short instructions Eppendorf Easyset® 3 English (EN)

These short instructions are a supplement to the operating manual and not a substitute. Please read the operating manual before using the Easyset 3 for the first time!

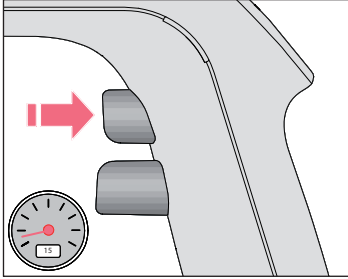
Battery status display



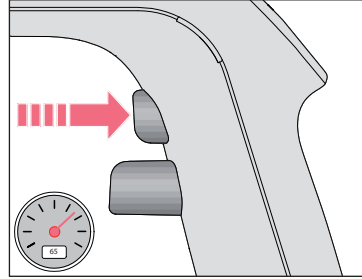
Charging process



Speed control

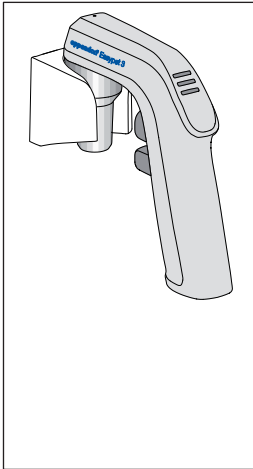


Slow



Fast

Wall mounting device



Shelf stand

