

Instructions for use
Carousel 2 - Stand 2
English (EN)

1 Product description

1.1 Product overview

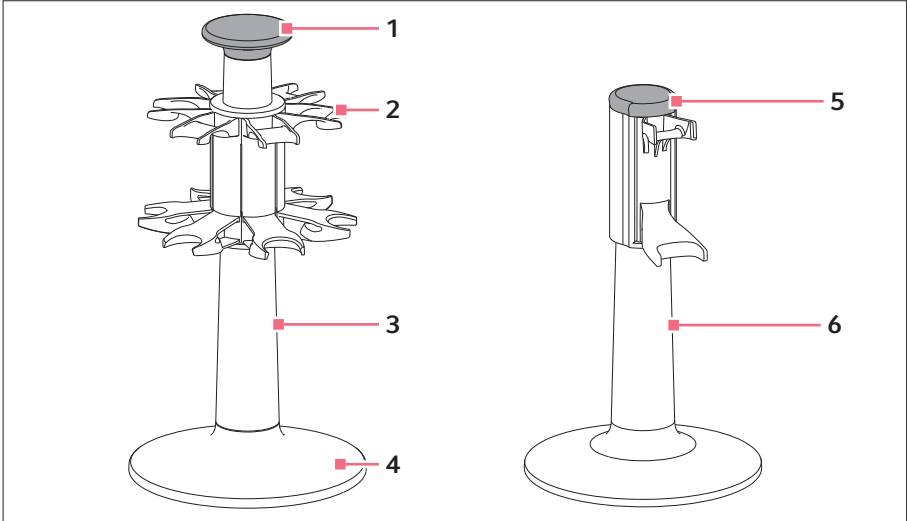


Fig. 1: Carousel 2 and stand 2 for mechanical dispensing devices

- | | |
|--|----------------|
| 1 Handle
With bayonet catch | 4 Base |
| 2 Holder
For mechanical dispensing devices | 5 Lid |
| 3 Carousel | 6 Stand |

2 Instructions for use

2 Carousel 2 - Stand 2

English (EN)

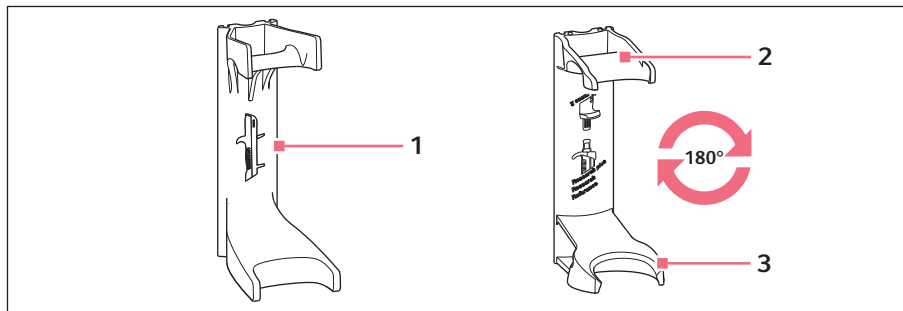


Fig. 2: Holder 2 for mechanical dispensing devices

1 Holder

For Multipette/ Repeater M4

3 Holder

For Reference 2

2 Holder

For Research plus, Reference, Research

1.2 Features

Dispensing devices must not be inserted into the carousel or the stand with the dispensing tip.

1.2.1 Carousel

The carousel can accommodate 6 mechanical Eppendorf dispensing devices (single-channel pipettes, multi-channel pipettes, or dispensers). The holders can be replaced. Using the handle, the carousel can be safely rotated, moved, and transported.

1.2.2 Stand

The stand can accommodate a mechanical Eppendorf dispensing device (single-channel pipette, multi-channel pipette, or dispenser). The holders can be replaced.

1.2.3 Dispensing devices

Suitable mechanical dispensing devices:

- Multipette/Repeater M4
- Reference 2, Reference, Biomaster
- Research plus, Research

2 Safety

2.1 Warnings for unintended use



CAUTION! Danger due to improper handling

Leaking liquids may cause contamination and material damage.

- ▶ Eject the dispensing tips before mounting.



NOTICE! Material damage due the carousel falling over

The carousel or the dispensing devices could be damaged.

- ▶ Place the carousel on a stable, even, and horizontal surface.

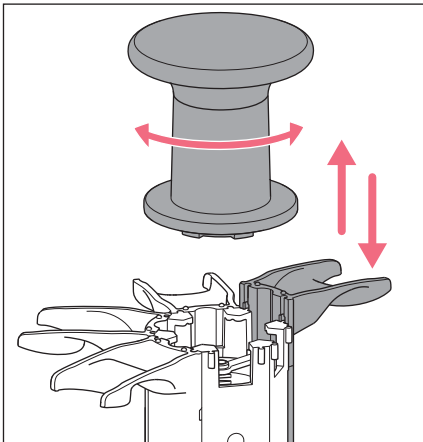
2.2 Intended use

The carousel is suitable for holding mechanical Eppendorf dispensing devices.

All dispensing devices may only be inserted into the carousel without the dispensing tip.

3 Installation

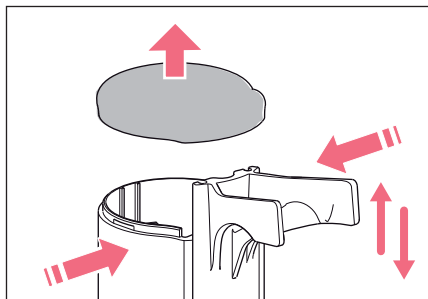
3.1 Changing the holder – carousel



1. Move the handle to the left and remove it.
2. Hold the carousel and lift the holder out.
3. Hook the other holder into the guide on the top.
4. Press onto the bottom of the holder.
5. Slide the holder down until the catches lock into place at the bottom.
6. Fit the handle and tighten it to the right. The bayonet catch engages.

4 Instructions for use
Carousel 2 - Stand 2
English (EN)

3.2 Changing the holder – stand



1. Press the housing together below the lid and remove the lid.
2. Hold the stand and lift the holder out.
3. Hook the other holder into the guide on the top.
4. Press onto the bottom of the holder.
5. Slide the holder down until the catches lock into place at the bottom.
6. Fit the lid.

4 Maintenance

4.1 Cleaning the carousel or the stand

- ▶ Use a damp cloth and mild cleaning agent to wipe off contamination.

4.2 Materials

Wall mount	Material
Available surfaces	Acrylonitrile styrene acrylate with polycarbonate (ASA/PC)
Feet	Silicone

5 Ordering information

5.1 Carousel and stand

Order no. (International)	Order no. (North America)	Description
3116 000.015	3116000015	Carousel 2 for 6 Eppendorf Research/plus, Reference/2 or Biomaster additional holders are optionally available
3116 000.058	3116000058	Stand 2 for one Eppendorf Multipette (Repeater) M4

5.2 Holder

Order no. (International)	Order no. (North America)	Description
3116 000.112	3116000112	Holder 2 for one Eppendorf Research/plus, Reference/2 or Biomaster for Carousel 2, Charger Carousel 2 or wall mounting
3116 000.120	3116000120	Holder 2 for one Eppendorf Xplorer/Xplorer plus for Carousel 2, Charger Carousel 2 or wall mounting (without charging functionality)
3116 000.139	3116000139	Holder 2 for one electronic Eppendorf Multipette (Repeater) for Carousel 2, Charger Carousel 2 or wall mounting (without charging functionality)
3116 000.147	3116000147	Holder 2 for one Eppendorf Multipette (Repeater) M4 for Carousel 2, Charger Carousel 2 or wall mounting