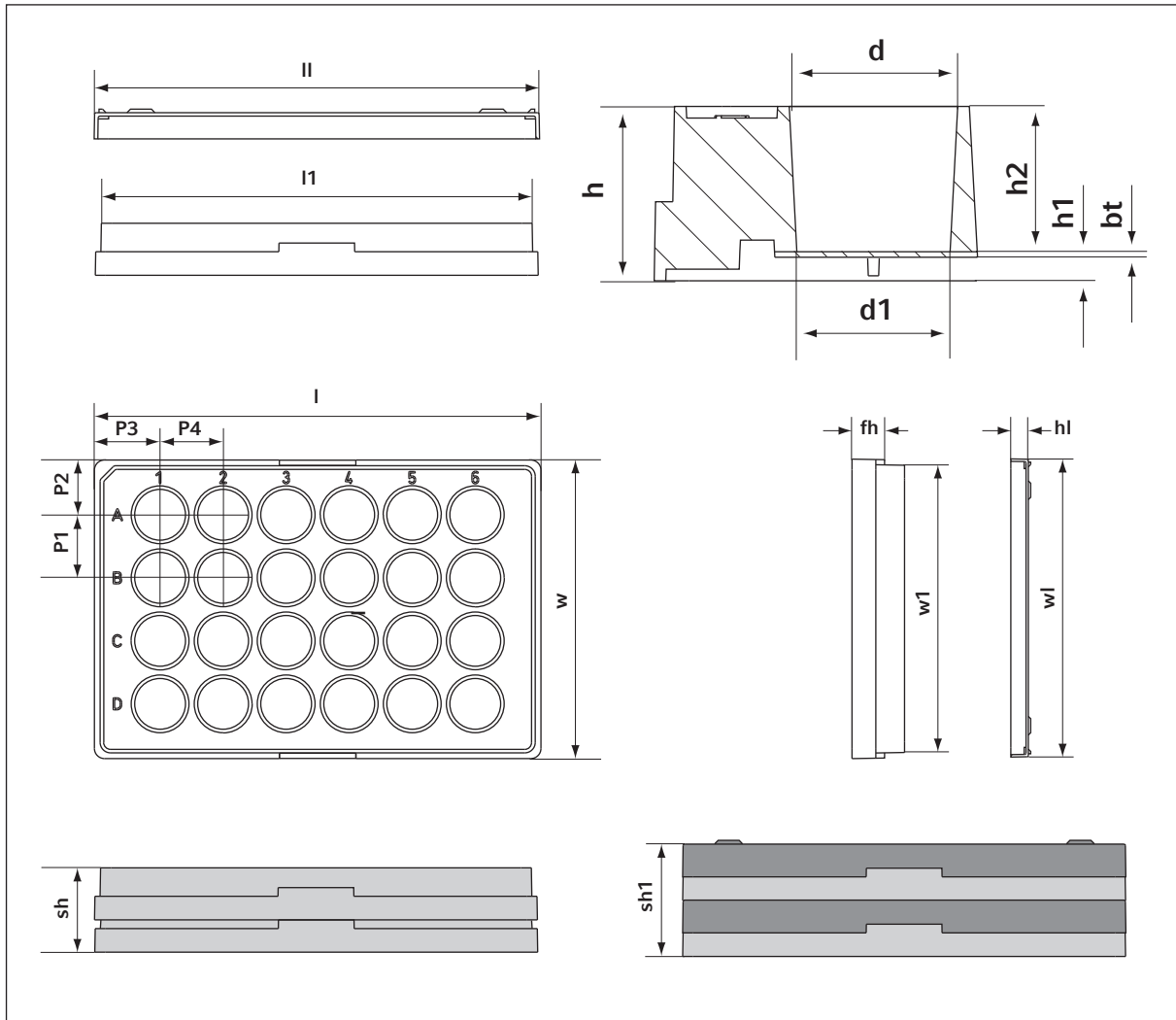


**Technical Data Sheet**  
 Eppendorf Cell Imaging Plate, 24-Well  
 English (EN)



**Plate dimensions [mm]**

Length		Width		Height		
l	l1	w	w1	h	h1	fh
127.8	124.2	85.5	82.0	15.0	0,4	9.3

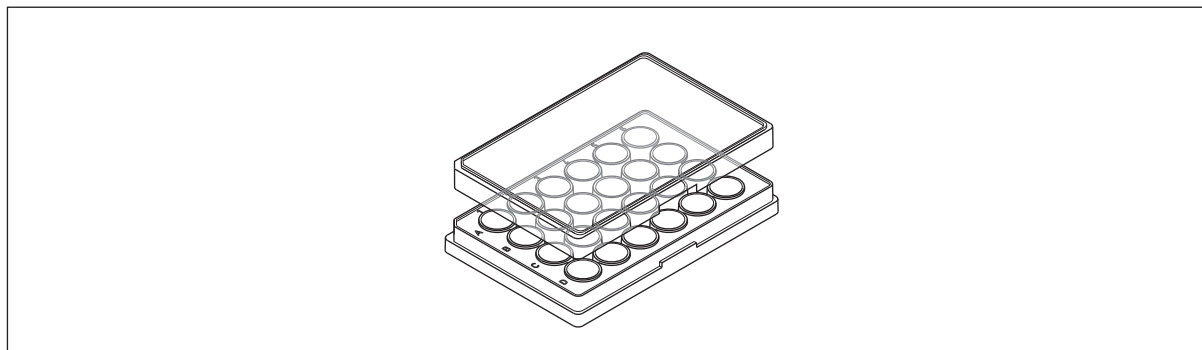
**Well dimensions [mm]**

Well dimensions [mm]			Positions of well center [mm]				
Diameter	Thickness	Depth	P1	P2	P3	P4	
d	d1	bt	h2	P1	P2	P3	P4
14.5	13.2	Glass: 0.17 Foil: 0.025	14.6	18.0	15.7	18.9	18.0

**Stack height [mm]**

Stack height [mm]		Lid dimensions [mm]		
without lid (sh)	with lid (sh1)	Height (hl)	Width (wl)	Length (ll)
29.6	33.9	8.5	85.3	127.6

**Technical Data Sheet**  
Eppendorf Cell Imaging Plate, 24-Well  
English (EN)



<b>Description</b>	0030 741.005: Eppendorf Cell Imaging Plate, 24-Well, film bottom	0030 741.021: Eppendorf Cell Imaging Plate, 24-Well, glass bottom
<b>Dimensions</b>	Plate with lid: 127.8 mm x 85.5 mm x 17.0 mm (l x w x h)	
<b>Weight</b>	with Glass: 64.4 g	with Film: 61.9 g
<b>Working volume</b>	Working volume/well: 0.5 mL/well to 1.0 mL/well	
<b>Total volume</b>	1.88 mL	
<b>Growth area</b>	1.4 cm <sup>2</sup> /well	
<b>Refraction index</b>	Glass bottom: 1.52	Film bottom: 1.34
<b>Abbe coefficient</b>	Glass bottom: 55	Film bottom: 70
<b>Material</b>	Glass bottom: borosilicate, hydrolytic class 1	Film bottom: fluorocarbon
<b>Color</b>	Black/clear	
<b>Operating temperature</b>	-20 °C to +50 °C	
<b>Centrifugability*</b>	Can be centrifuged up to 300 x g.	
<b>Autoclavable</b>	—	
<b>Shelf life</b>	5 years	
<b>Packing unit</b>	20 pieces/unit, 1 piece/bag	
<b>Lot-specific certificates</b>	Sterility: Sal 10 <sup>-6</sup> (according to ISO 11137-2:2007) Pyrogens: <0.001 EU/mL (according to Ph. Eur. 2.6.14) RNase: <10 <sup>-9</sup> Kunitz units DNase: <10 <sup>-6</sup> Kunitz units DNA: <2 pg	
<b>Certificates of quality</b>	Quality Assurance of surface properties. Products are non-cytotoxic according to DIN EN ISO 10993-5. Products are produced in a class 8 clean room (class 100,000) environment according to ISO 14644-1. Products conform to ANSI/SLAS 1-2004. Material suppliers of Eppendorf do not use or intentionally incorporate slip agents, biocides, plasticizers, bisphenol A or latex in the materials Eppendorf uses for the production of Eppendorf Cell Imaging Consumables.	
<b>Eppendorf Quality Management</b>	ISO 9001/13485/14001	

\*The centrifugation stability of each plate type generally depends on the centrifuge and its accessories, the ambient conditions and the liquid used.

**Your local distributor: [www.eppendorf.com/contact](http://www.eppendorf.com/contact)**  
Eppendorf AG · 22331 Hamburg · Germany  
[eppendorf@eppendorf.com](mailto:eppendorf@eppendorf.com) · [www.eppendorf.com](http://www.eppendorf.com)