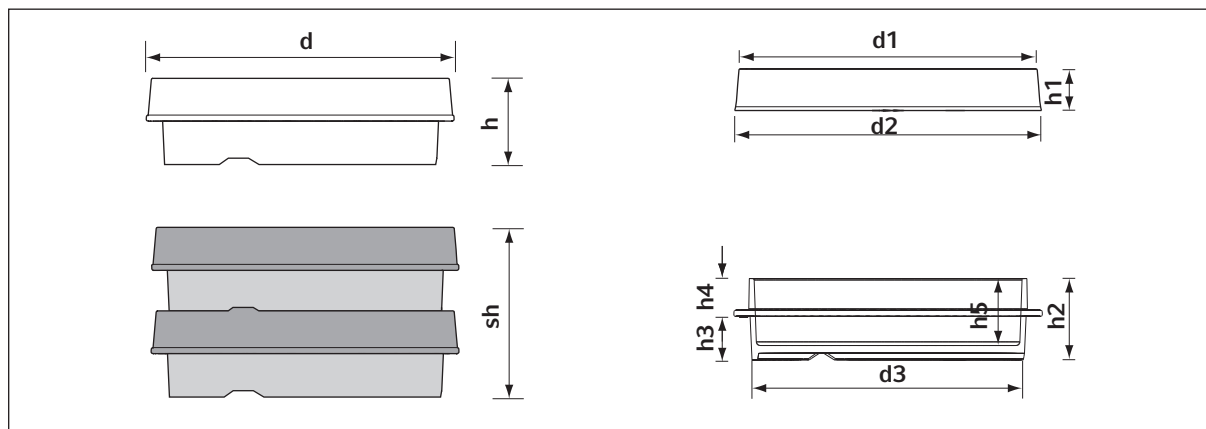


## Technical Data Sheet

Eppendorf Cell Culture Dish 35 mm

English (EN)



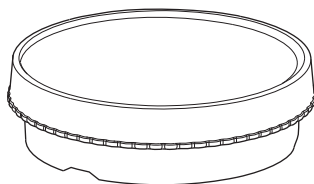
### Dimensions dish and lid [mm]

| Diameter dish with lid (d)           | Inner diameter lid (d1)              | Outer diameter lid (d2)  | Inner diameter dish (d3) |
|--------------------------------------|--------------------------------------|--------------------------|--------------------------|
| 40.8                                 | 37.4                                 | 40.6                     | 34.8                     |
| Lid height (h1)                      | Dish height (h2)                     | Height dish with lid (h) |                          |
| 5.5                                  | 10.8                                 | 12.5                     |                          |
| Dish height below handling ring (h3) | Dish height above handling ring (h4) | Inner height dish (h5)   |                          |
| 5.8                                  | 5.0                                  | 8.9                      |                          |

### Stack height [mm]

| with lid (sh) |  |
|---------------|--|
| 24.1          |  |

**Technical Data Sheet**  
Eppendorf Cell Culture Dish 35 mm  
English (EN)



|                                     |                                                                                                                                                                                                                                                                                                                                                                                                                                                                                               |                 |
|-------------------------------------|-----------------------------------------------------------------------------------------------------------------------------------------------------------------------------------------------------------------------------------------------------------------------------------------------------------------------------------------------------------------------------------------------------------------------------------------------------------------------------------------------|-----------------|
| <b>Description</b>                  | Eppendorf Cell Culture Dish, 35 mm<br>0030 700.112: with tissue culture treated surface<br>0030 700.015: with non-treated surface                                                                                                                                                                                                                                                                                                                                                             |                 |
| <b>Dimensions</b>                   | Dish with lid: 40.8 x 10.8 mm (d x h)                                                                                                                                                                                                                                                                                                                                                                                                                                                         |                 |
| <b>Weight</b>                       | Dish 2.0 g, lid 1.5 g                                                                                                                                                                                                                                                                                                                                                                                                                                                                         |                 |
| <b>Filling volume</b>               | 2.0 to 3.0 mL                                                                                                                                                                                                                                                                                                                                                                                                                                                                                 |                 |
| <b>Growth area</b>                  | 9.5 cm <sup>2</sup>                                                                                                                                                                                                                                                                                                                                                                                                                                                                           |                 |
| <b>Material</b>                     | Polystyrol, meets USP Class VI specifications                                                                                                                                                                                                                                                                                                                                                                                                                                                 |                 |
| <b>Color</b>                        | Transparent                                                                                                                                                                                                                                                                                                                                                                                                                                                                                   |                 |
| <b>Operating temperature</b>        | -86 °C to +60 °C                                                                                                                                                                                                                                                                                                                                                                                                                                                                              |                 |
| <b>Centrifugability</b>             | —                                                                                                                                                                                                                                                                                                                                                                                                                                                                                             |                 |
| <b>Autoclavable</b>                 | —                                                                                                                                                                                                                                                                                                                                                                                                                                                                                             |                 |
| <b>Shelf life</b>                   | 5 years                                                                                                                                                                                                                                                                                                                                                                                                                                                                                       |                 |
| <b>Packing unit</b>                 | 10 dishes/bag                                                                                                                                                                                                                                                                                                                                                                                                                                                                                 | 300 dishes/case |
| <b>Lot-specific certificates</b>    | Sterility: Sal 10 <sup>-6</sup> (according to ISO 11137-2:2007)<br>Pyrogens: <0,001 EU/mL (according to Ph. Eur. 2.6.14)<br>RNase: <10 <sup>-9</sup> Kunitz units<br>DNase: <10 <sup>-6</sup> Kunitz units<br>Human DNA: <2 pg<br>Bacterial DNA: <50 fg<br>Tissue culture surfaces tested by cell growth.                                                                                                                                                                                     |                 |
| <b>Certificates of quality</b>      | Quality Assurance of surface properties.<br>Products are non-cytotoxic according to DIN EN ISO 10993.<br>Products are produced in a class 7 clean room environment according to ISO 14644-1 and EG-GMP Class C.<br>Material suppliers of Eppendorf do not use or intentionally incorporate slip agents, biocides, plasticizers, bisphenol A, latex, antistatic agents, metallic dyes or mineral oil in the materials Eppendorf uses for the production of Eppendorf Cell Culture Consumables. |                 |
| <b>Eppendorf Quality Management</b> | ISO 9001/13485/14001                                                                                                                                                                                                                                                                                                                                                                                                                                                                          |                 |

Your local distributor: [www.eppendorf.com/contact](http://www.eppendorf.com/contact)  
Eppendorf AG · 22331 Hamburg · Germany  
[eppendorf@eppendorf.com](mailto:eppendorf@eppendorf.com) · [www.eppendorf.com](http://www.eppendorf.com)